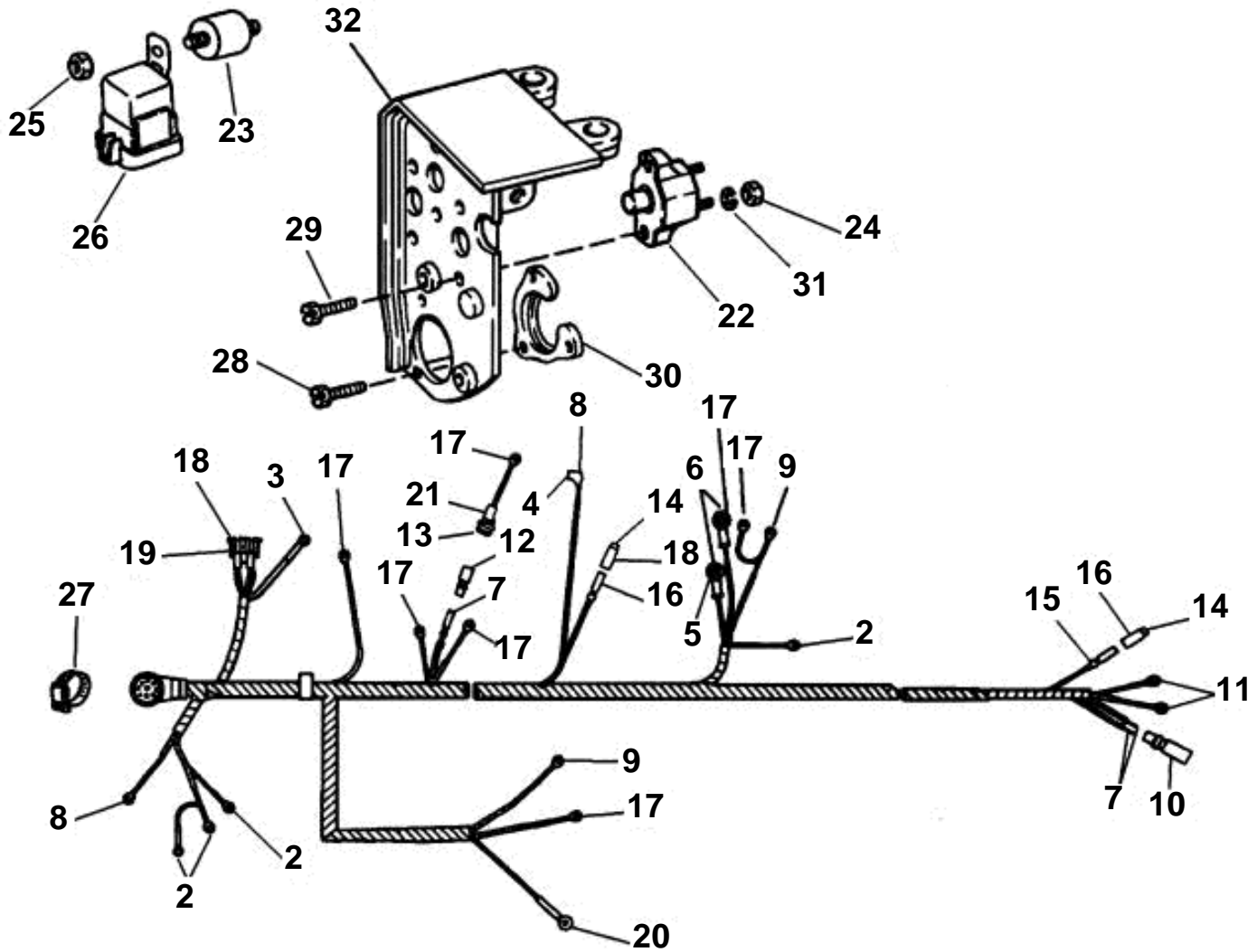


ENGINE WIRE HARNESS & BRACKET, GL



ENGINE WIRE HARNESS & BRACKET, GL

REF	PART NO.	QTY	DESCRIPTION
1	3850466	1	Cable harness
2	3852245	4	· Cable terminal
3	3852107	1	· Cable terminal, Bracket ground
4	3852084	1	· Cable terminal, Choke
5	3852038	1	· Cable terminal, Alternator output
6	3852130	2	· Rubber cap
7	3852229	2	· Cable terminal, Pin
8	3853320	1	· Cover, Terminal
9	3852235	3	· Cable terminal
10	3853565	1	· Connector
11	3850998	2	· Cable terminal, Ground
12	3850992	1	· Connector, Socket
13	3852257	1	· Cable terminal, Socket
14	3852181	2	· Cap, Socket
15	3852848	2	
16	3852244	2	· Cable terminal, Socket
17	3852233	2	· Cable terminal
18	3852254	4	· Cable terminal, Starter relay
19	3854192	1	· Connector
20	3852037	1	· Cable terminal, Starter
21	3850991	1	· Connector
22	3854283	2	Breaker, 50 amp
23	3850234	1	Isolation, Starter relay
24	3852064	4	Nut, Circuit breaker
25	3852118	1	Nut, Starter relay
26	3854138	1	Relay, Starter
27	3853786	1	Clamp, Instrument cable
28	3852208	3	Screw, Cable retainer
29	3853620	4	Screw, Circuit breaker to bracket
30	3852825	1	Retainer, Engine wiring harness
31	3852001	4	Lock washer, Circuit breaker
32	3850455	1	Bracket, Engine cable